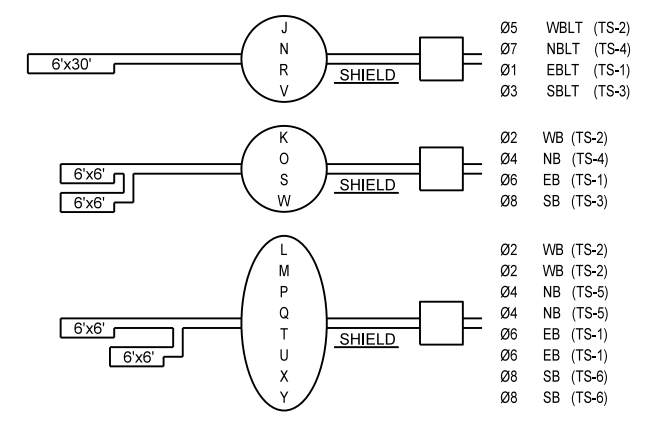
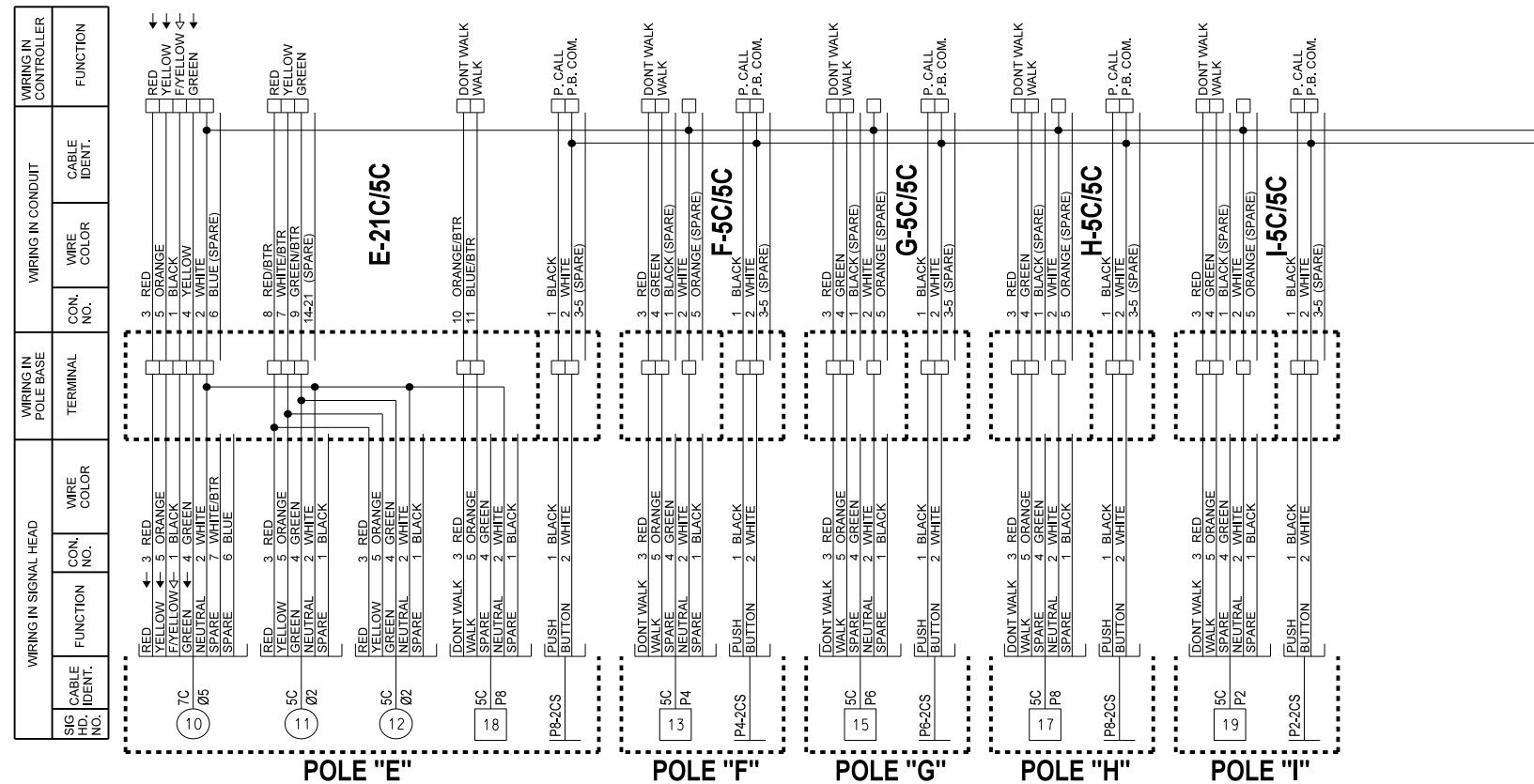
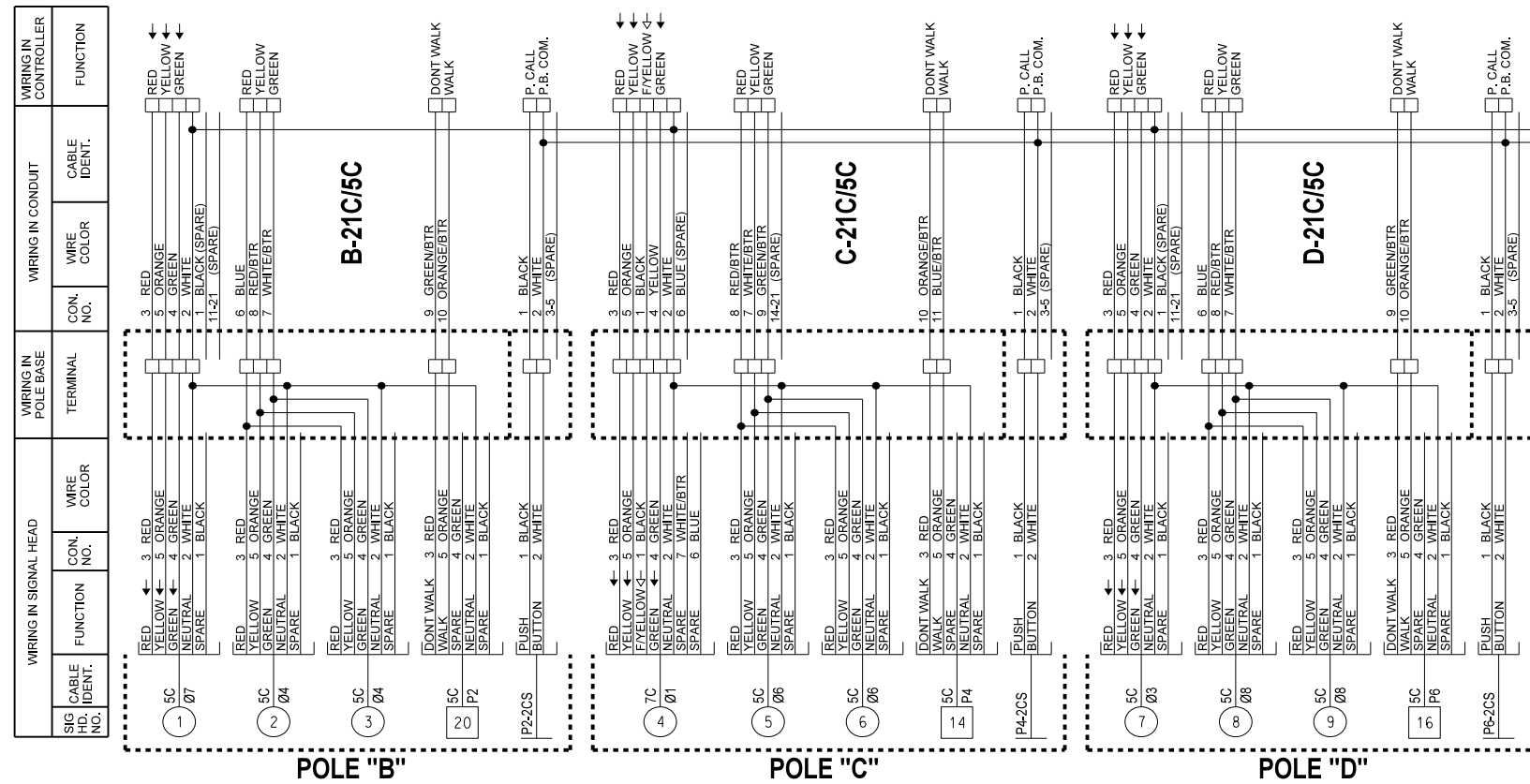
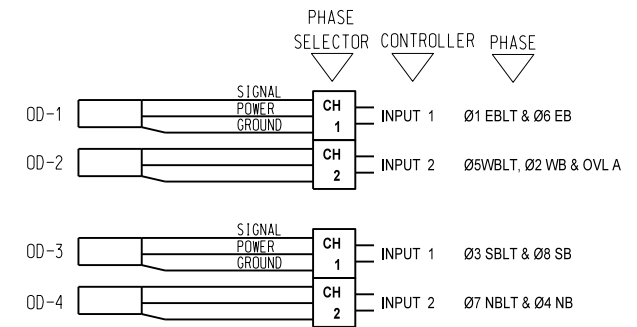


REVISIONS		
NO.	DESCRIPTION	DATE



AREAS OF THERMAL DETECTION



PRE-EMPTOR DETAILS

NOTE:  
IF JUMPERS OR OTHER CONNECTIONS ARE MADE IN THE FIELD DURING INSTALLATION, AND ARE ACCEPTED BY THE ENGINEER THIS SHOULD BE SHOWN ON THE WIRING DIAGRAM FOR FUTURE REFERENCE.

Design	RWR	08/10/17
Drawn	GDB	08/10/17



**SIGNAL WIRING DIAGRAM**  
**N.W. 192nd ST. & S.H. 74**